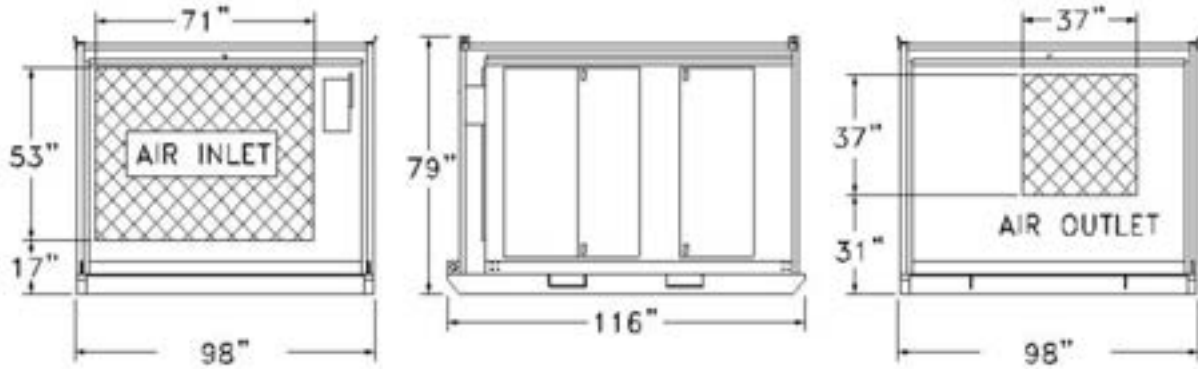


4,500,000 BTU MAKEUP AIR HEATER

TCR 4.5



TCR 4.5 SPECIFICATIONS

FUEL	VOLTAGE	CONTROL	FAN SPEC
NATURAL GAS / PROPANE	460V/60 AMPS/3PH	THERMOSTAT MODULATING BURNER	26,000 C.F.M.
FUEL CONNECTION	MAX. TEMPERATURE	DIMENSIONS	WEIGHT
2" NPT	168° F	116"L X 98"W X 79"H	3,200 LBS

FEATURES

- READY FOR OPERATION WITH MINIMAL SETUP
- COMPLETE ELECTRICAL CONTROLS
- DIRECT FIRED
- INDOOR / OUTDOOR USE
- FORKLIFTABLE



Total Construction Rentals

1-877-HEAT-451

www.heatmyjob.com

